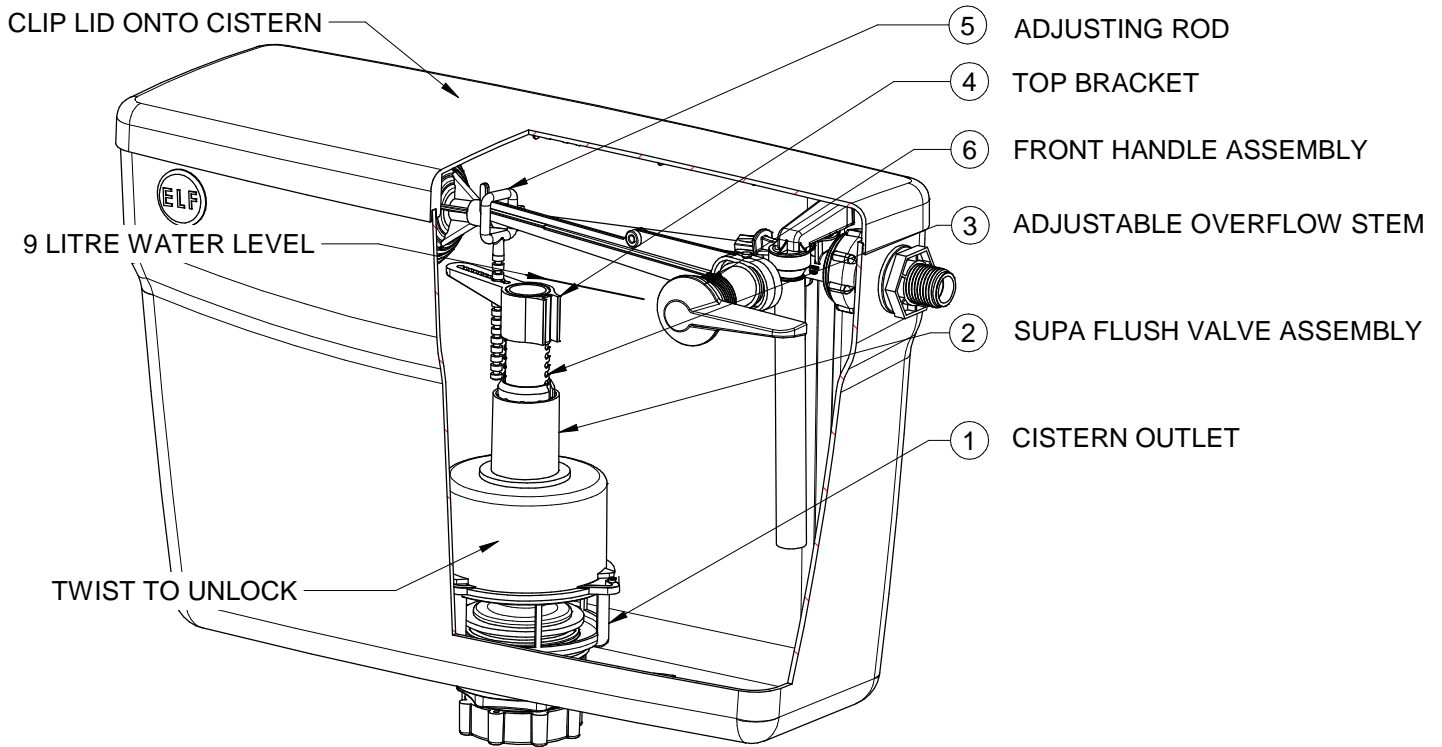


# INSTALLATION INSTRUCTIONS FOR ELF CISTERN



## NOTES FOR THE PLUMBER:

- 1) Do not use putty as sealant between cistern and pan.
- 2) The cistern should be fitted first.
- 3) The primary overflow (Adjustable overflow stem) should be at least 25 mm above the waterline.
- 4) Complete all plumbing connections to suite, test flush, ensuring that correct water level has been set and overflow height conforms and operates according to local by laws and SABS specifications for flushing cisterns.

## ASSEMBLY:

Fit Supa Flush valve outlet into cistern, do not over tighten back nut. Fit inlet valve into cistern, do not over tighten, ensure that the lever arm moves freely and that the ball clears the cistern body and flush valve and does not jam. Fit handle assembly. Fit cistern stopper or external overflow as required.

## FLUSH VALVE ASSEMBLY:

- A) Clip valve assembly (2) on to cistern outlet (1).
- B) Do not adjust the overflow stem (3) yet.
- C) Fill cistern up to the nine litre water mark. (Where applicable)
- D) Adjust overflow stem (3) until the underside of top bracket (4) touches the water.
- E) Turn the overflow stem anti-clockwise to lock it.
- F) Clip adjusting rod (5) on to top bracket (4).

## MANUFACTURERS RECOMMENDATIONS:

The above assembly instruction is for a nine litre flush in a nine litre cistern. If a six litre flush is required from a nine litre cistern for water saving purposes, simply adjust the inlet valve float to fill to the six litre mark, but leave the overflow stem (3) set at the nine litre water mark. If this valve is fitted in a six litre cistern the overflow stem (3) must be set so that underside of the top bracket (4) touches the water.

## IMPORTANT:

It is necessary to ensure that a six litre pan is fitted when using a six litre flush.  
This cistern should be fitted and secured against a wall to avoid stress on the wall connection pipe.



**Dutton Plastics**  
ENGINEERING

A Division of the Zimco Group (Pty) Ltd.

Reg. No:1947/025245/07

14 Dienst Street ,Alrode Ext 2, Alberton  
PO Box 145092, Bracken Gardens ,1452  
Republic of South Africa

## Head Office:

Tel: 011-617-5000  
Fax: 011-864-2677

## Branches:

Cape Town: 021-552-4460  
Durban: 031-705-2533  
Port Elizabeth: 041-486-3678  
Website: [www.duttonplastics.com](http://www.duttonplastics.com)

PIS-020

**SABS**  
ISO 9001

**SABS**  
ISO 14001

**SABS**  
OHSAS 18001