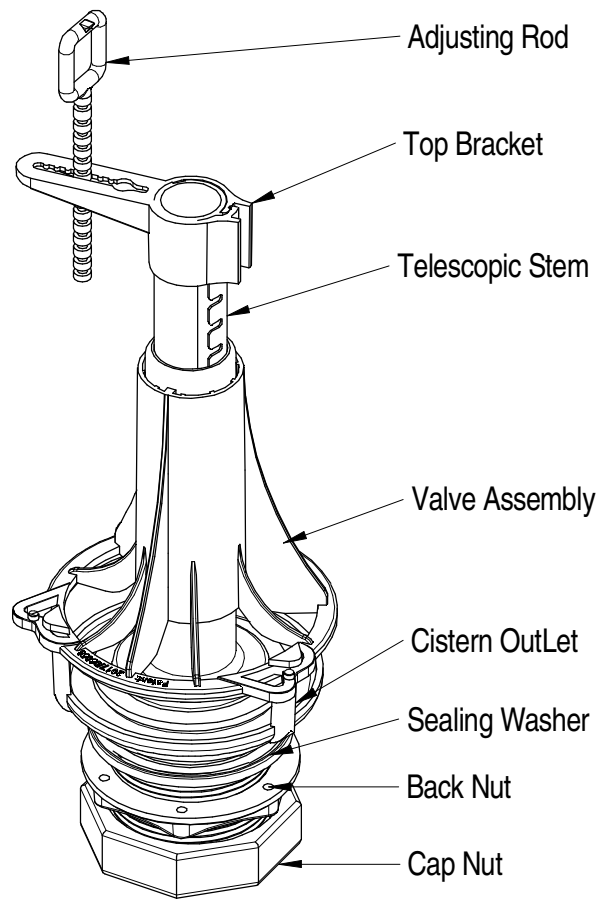
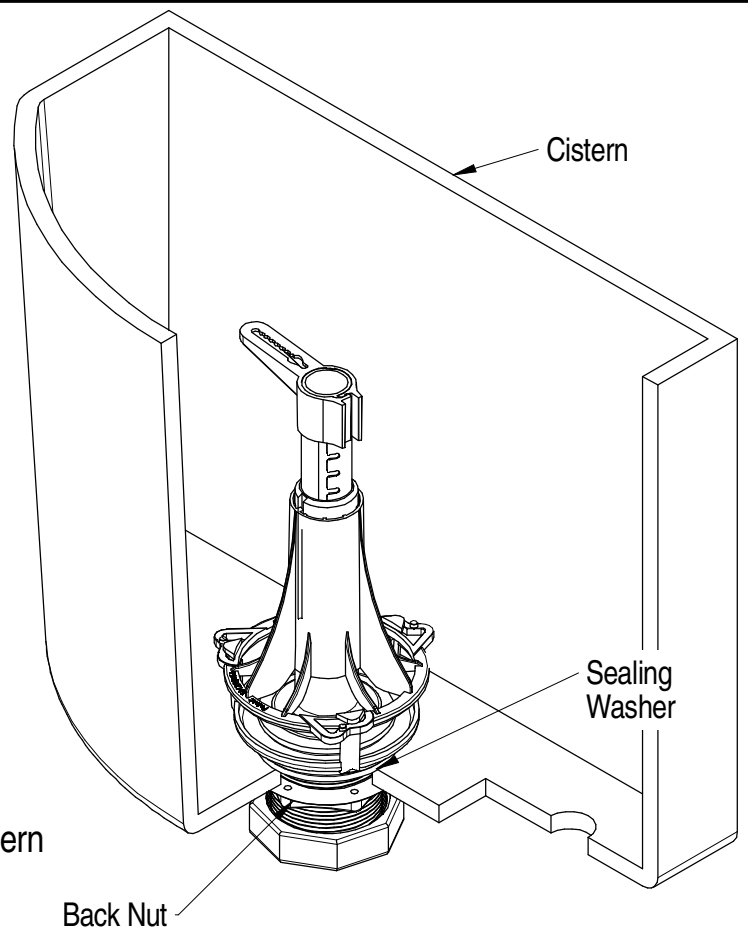
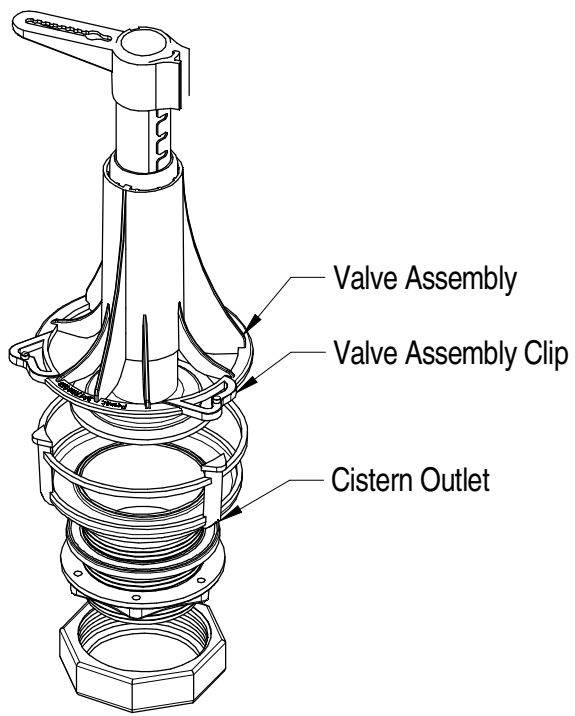
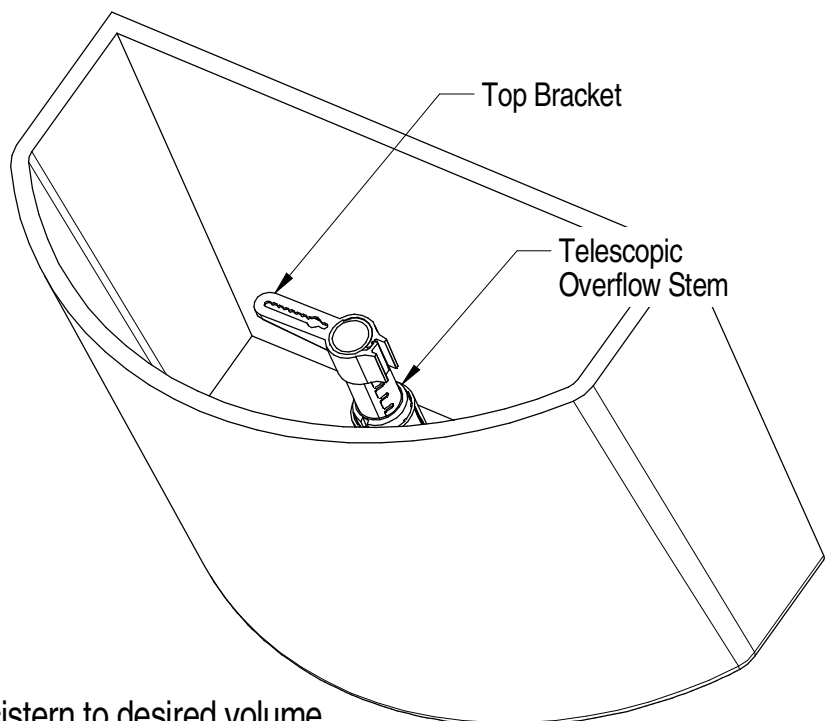


1**2**

Fit the cistern outlet to the cistern ,making sure the sealing washer is on the inside of the cistern
Do not use putty

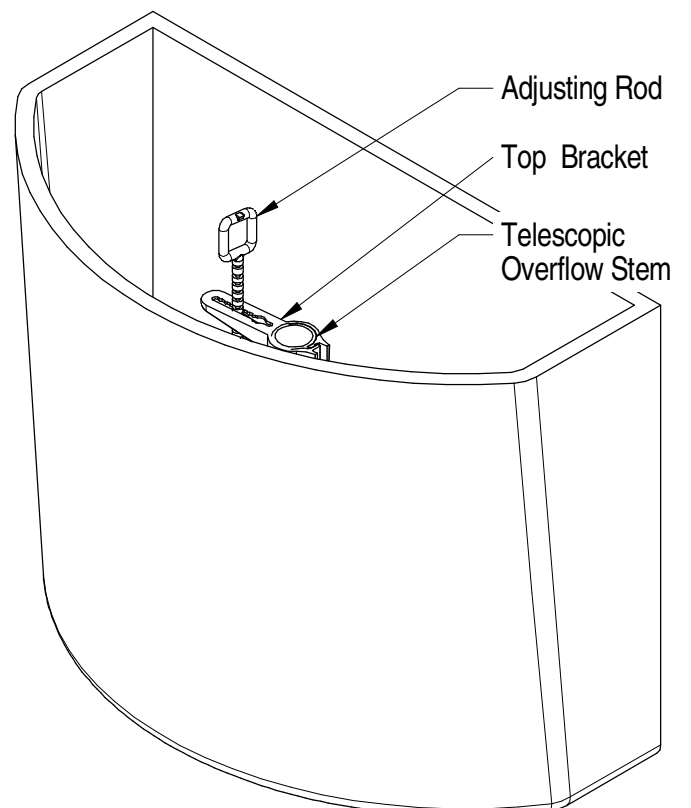
Hand tighten the backnut. Do not over tighten.

Clip the valve assembly onto the cistern outlet & ensure it is secure

3

Fill cistern to desired volume

Adjust the telescopic overflow stem by turning it clockwise to loosen. Move the overflow stem up or down until the underside of the top bracket touches the water

4

Turn the overflow stem Anti-clockwise to lock it .

Fit the adjusting rod to the top bracket